

FITTING TOOL FT33

For the clean and economical mounting of bearings and seals



simatool FT 33 – An installation tool that has proven itself thousands of times

The **simatool FT 33** is an utmost reliable tool for the fast, precise and secure mounting of bearings and seals.

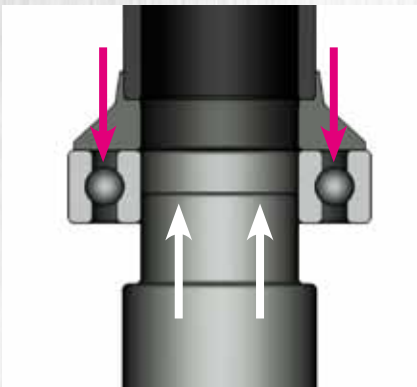
- For shaft diameters of 10 to 50 mm
- The set includes 33 impact rings, 3 impact sleeves, and 1 non-rebound hammer
- Compact toolset includes a selection table in a handy case



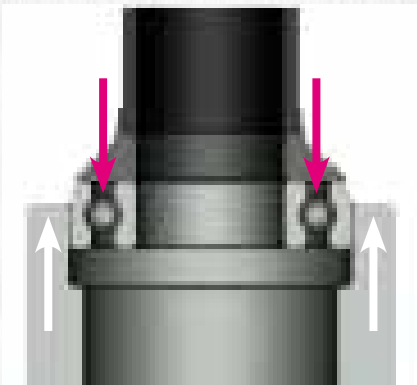
simatool®
smart tools



Correct operation of the tool for mounting ball bearings.



Mounting a ball bearing on a shaft.



Mounting a ball bearing in a housing.



simatool Fitting Tool FT 33

With the **Fitting Tool FT 33**, bearings with a bore diameter of 10 to 50 mm are mounted quickly and precisely. The right combination of impact ring and impact sleeve insures that the mounting forces never go through the rolling elements. Because of this, damages to the bearing during mounting are avoided and the life of the bearing is extended. The impact rings are made with the highest precision and quality.

Impact sleeves	Impact rings	Roller bearings of the following series											
d / D		60	63	12	13	72B	32	222	223	NU-NJ-N	302	303	313
		62	64	22	23	73B	32	213	213	2 3 4	322	322	323
A FT 33-A	10 / 26												
	10 / 30	6000		129									
	10 / 30	6200		1200			3200						
	10 / 30			2200									
	10 / 35	6300		1300									
	12 / 28	6001											
	12 / 32	6201		1201				3201					
	12 / 32			2201									
	12 / 37	6301		1301									
	12 / 37			2301									
	15 / 32	6002											
	15 / 35	6202		1202			7502 B	3202					
15 / 35			2202										
15 / 42	6302		1302				3302				30302		
15 / 42			2302										
17 / 35	6003												
17 / 40	6203		1203			7203 B	3203				30203		
17 / 40			2203										
17 / 47	6303		1303			7303 B	3303				30303		
17 / 47													
B FT 33-B	20 / 42	6004											
	20 / 47	6204		1204		7204 B	3204			204			
	20 / 47			2204									
	20 / 52	6304		1304		7304 B	3304			22205/20	304	30304	32304
	20 / 52	6403		2304									
	25 / 47	6005											
	25 / 52	6205		1205		7205 B	3205			22205	205	30205	
	25 / 52			2205									
	25 / 62	6305		1305		7305 B	3305			21305	305	30305	31305
	25 / 62	6404		2305									32305
	30 / 55	6006											
	30 / 62	6206		1206		7206 B	3206			22206	206	30206	
30 / 62			2206								32206		
30 / 72	6306		1306		7306 B	3306			21306	306	30306	31306	
30 / 72	6405		2306							405		32306	
C FT 33-C	35 / 62	6007											
	35 / 72	6207		1207		7207 B	3207			22207	207	30207	
	35 / 72			2207								32207	
	35 / 80	6307		1307		7307 B	3307			21307	307	30307	31307
	35 / 80	6406		2307							406		32307
	40 / 68	6008											
	40 / 80	6208		1208		7208 B	3208			22208	208	30208	
	40 / 80			2208									
	40 / 90	6308		1308		7308 B	3308			21308	308	30308	31308
	40 / 90	6407		2308						22308	407		32308
	45 / 75	6009											
	45 / 85	6209		1209		7209 B	3209			22209	209	30209	
	45 / 85			2209								32209	
	45 / 85												
	45 / 100	6309		1309		7309 B	3309			21309	309	30309	31309
	45 / 100	6408		2309						22309	408		32309
	45 / 100*	6013		1211		7211 B	3211			22211	211		
	45 / 100*	6211		2211									
50 / 80	6010												
50 / 90	6210		1210		7210 B	3210			22210	210	30210		
50 / 90			2210								32210		
50 / 90*	6011												
50 / 90*	6012												
50 / 110	6310		1310		7310 B	3310			21310	310	30310		
50 / 110	6409		2310						22310	409			
50 / 110*	6014		1212		7212 B	3212			22212	212			
50 / 110*	6015		1213		7213 B	3213			22213	213			
50 / 110*	6212		2212		7311 B	3311			21311	311		31310	
50 / 110*	6213		2213						22311	410		32310	
50 / 110*	6311		1311										
50 / 110**	6410		2311										

*outer ring fitting only / **inner ring fitting only



MK 10-30



TP 150



FT 33



BP 61



SP 50